

Technical data sheet



Product features

Bain marie electric GN 2/1 - 200 with cabinet

Model	SAP Code	00018726
--------------	-----------------	----------



- Water inlet: automatic valve operated by button
- Drain type: Trough the cabinet
- Drain: Yes
- Material: AISI 304 top plate, AISI 430 cladding
- Protection of controls: IPX4
- Maximum device temperature [°C]: 90

SAP Code	00018726	Power electric [kW]	3.200
Net Width [mm]	800	Loading	230 V / 1N - 50 Hz
Net Depth [mm]	700	Number of GN / EN	1
Net Height [mm]	900	GN / EN size in device	GN 2/1
Net Weight [kg]	40.00	GN device depth	200

Technical data sheet



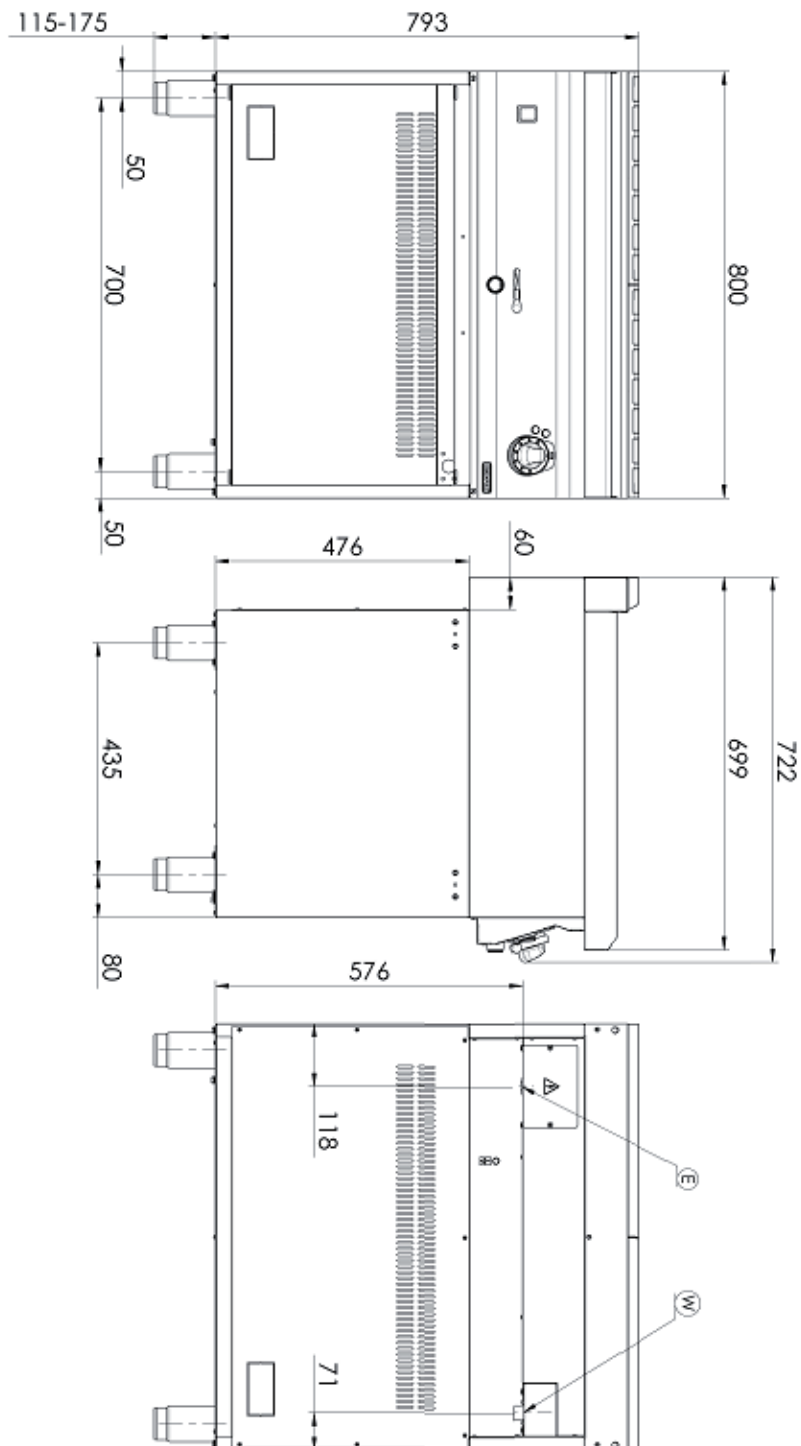
Technical drawing

Bain marie electric GN 2/1 - 200 with cabinet

Model

SAP Code

00018726



Technical data sheet



Technical parameters

Bain marie electric GN 2/1 - 200 with cabinet

Model

SAP Code

00018726

1. SAP Code:

00018726

2. Article group:

Bain Maries

3. Net Width [mm]:

800

4. Net Depth [mm]:

700

5. Net Height [mm]:

900

6. Net Weight [kg]:

40.00

7. Gross Width [mm]:

860

8. Gross depth [mm]:

820

9. Gross Height [mm]:

1080

10. Gross Weight [kg]:

54.00

11. Device type:

Electric unit

12. Construction type of device:

With substructure

13. Power electric [kW]:

3.200

14. Loading:

230 V / 1N - 50 Hz

15. Protection of controls:

IPX4

16. Material:

AISI 304 top plate, AISI 430 cladding

17. Indicators:

operation and warm-up

18. Worktop type:

Molded - comfortable cleaning maintenance

19. Worktop material:

AISI 304

20. Worktop Thickness [mm]:

1.20

21. Maximum device temperature [°C]:

90

22. Minimum device temperature [°C]:

30

23. Safety element:

safety element – thermocouple
outlet safety fuse

24. Adjustable feet:

Yes

25. Number of basins:

1

26. Basin material:

AISI 304 - High quality stainless steel

27. Water inlet:

automatic valve operated by button

28. Drain type:

Trough the cabinet

Technical data sheet



Technical parameters

Bain marie electric GN 2/1 - 200 with cabinet

Model

SAP Code

00018726

29. Drain:

Yes

31. GN / EN size in device:

GN 2/1

30. Number of GN / EN:

1

32. GN device depth:

200